

Vane Pumps- Single Stage Dry Pumps

DRYVAC SERIES

5.6-353 CFM

Vacuum to: 27" Hg

DV Series Rotary Vane Dry Vacuum Pumps



Model DV-6
Displacement 5.6 CFM
Ultimate Pressure 25" Hg

The DV series of pumps are 100% oil-less rotary vane vacuum pumps. They are designed to operate on a continuous basis at any point from atmospheric pressure to a vacuum level of 22.5—27" Hg depending on the pump model. The oil-less pumps are ideal for applications where oil or water sealed pumps are objectionable.

The pumps are direct drive units and are supplied with TEFC electric motors, inlet filter, vacuum relief valve, vibration isolators and discharge silencers (as required).

Applications include graphic arts, vacuum packaging, forming & hold-down,



Model DV-11
Displacement 11 CFM
Ultimate Pressure : 25" Hg



Model KVT 3.100
Displacement 95 CFM
Ultimate Pressure: 27"

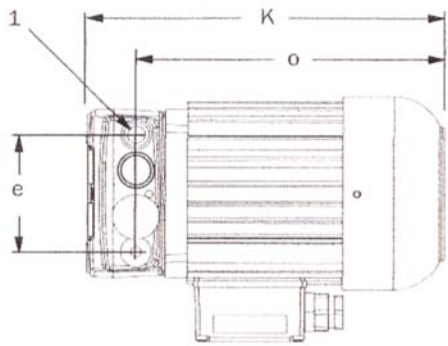


Model VTLF 500
Displacement 353 CFM
Ultimate Pressure : 25" Hg

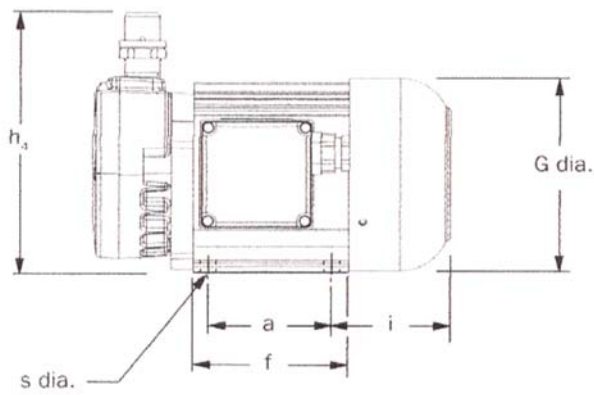
DRY VAC DV SERIES

MODEL	DV-6	DV-7	DV-11	DV-18	DV-28	KVT 3.100	KVT 3.140	VTLF 250	VTLF 400	VTLF 500	
Displacement, CFM	5.6	7	11	18	28	69	95	173	280	353	
Max Cont. Vacuum ("Hg)	25" Hg				27" Hg		22"Hg	25" Hg	22.5 " Hg		
Motor, Kw	0.56	0.94	1.2	2	5		7.5	10	18	24	
Suction Connection	3/8"	1/2"	3/4"		1"	1-1/2"	1-1/2"	2"	4"		
Speed (RPM)	3300		1740					1150	850	1150	
Weight, Lbs	24	50	57	85	178	230	320	865	1090	1100	
Noise Level dBa	59	64	67	72	75	77	79	81	78	83	

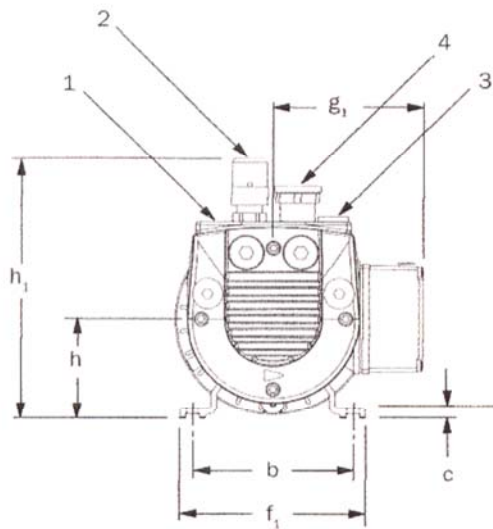
888-416-7366



Top View



Side View



End View (Opposite Motor End)

DV-6

All data based on 60 Hz operation

Flow (SCFM @ 0 In. Hg)	5.6
Horsepower	0.56
Speed (RPM)	3300
Maximum Vacuum (In. Hg)	25.5
Weight (lbs.)—w/ motor	24.3
Noise Level (Max. dBA)	59
Inlet size (BSP, inches)	3/8

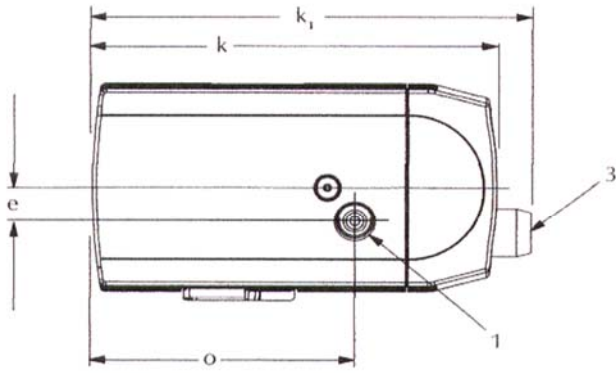
Dimensional Data

	Inches
a	3.15
b	3.94
c	.236
e	3.11
f	3.78
f ₁	4.57
G	4.84
g ₁	3.66
h	2.48
h ₁	5.16
h ₄	6.76
i	2.74
K	9.10*
o	9.9**
s	0.27

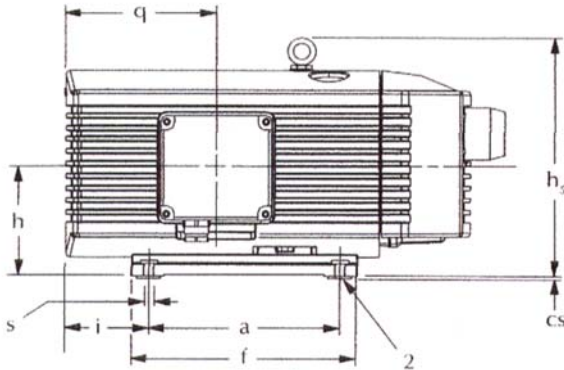
Manufacturer reserves right to alter data without notice.

- * Three Phase Motor
- ** Single Phase Motor

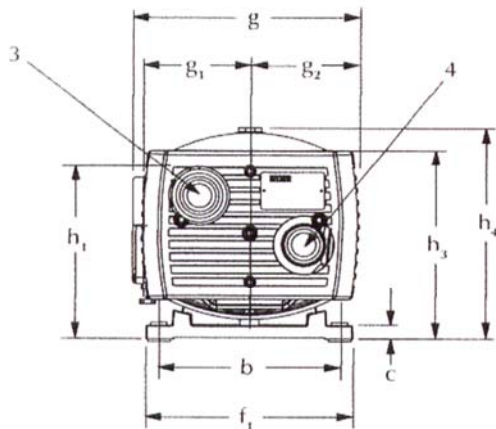
- 1 - Inlet Port
- 2 - Vacuum Relief Valve
- 3 - Discharge Port (plugged)
- 4 - Exhaust Air Silencer



Top View



Side View



End View (Opposite Motor End)

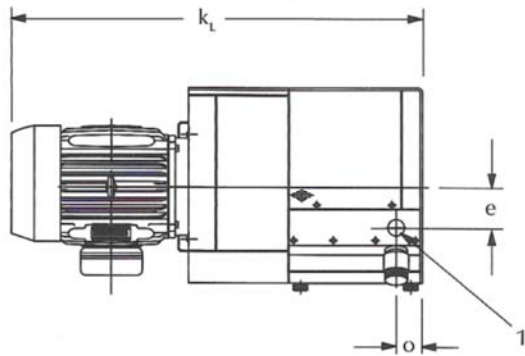
All data based on 60 Hz operation

	DV-11	DV-18	DV-28	
Flow (SCFM @ 0 in. Hg)	11	18	28	
Horsepower	0.94	1.2	2	
Speed (RPM)	1740	1740	1740	
Max. Cont. Vacuum (in. HgV)	25	25	25	
Weight (lbs.)—w/ motor*	50	57.2	84.7	
Noise Level (Max. dBA)	64	67	72	
Inlet size (BSP, inches)	½	¾	¾	
Dimensional Data	Inches			
	a	7.95	8.66	8.66
	b	4.92	8.19	8.19
	c	0.6	0.6	0.6
	cs	0.12	0.12	0.12
	e	1.38	1.57	1.57
	f	9.53	10.24	10.24
	f ₁	6.1	9.37	9.37
	g	9.1	10.23	11.03
	g ₁	4.03	4.92	4.92
	g ₂	4.03	4.92	4.92
	h	4.45	5.51	5.51
	h ₁	7.4	8.9	8.9
	h ₃	7.32	8.9	8.9
h ₄	8.07	9.84	9.84	
h ₅	8.3	11.42	11.42	
i	2.88	3.78	5.15	
k	16.38	18.31	20.95	
k ₁	17.8	19.89	22.53	
o	11.48	11.91	14.31	
q	5.97	6.81	7.56	
s	0.27	0.27	0.27	

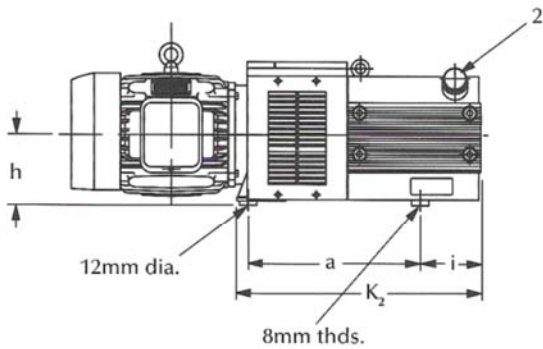
* Overall specifications for single phase units may vary. Manufacturer reserves right to alter data without notice.

- 1 - Inlet Port
- 2 - Vibration Isolator
- 3 - Vacuum Regulating Valve
- 4 - Exhaust Air Silencer

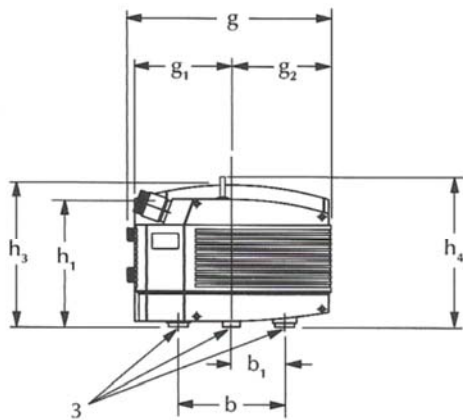
TECHNICAL DATA



Top View



Side View



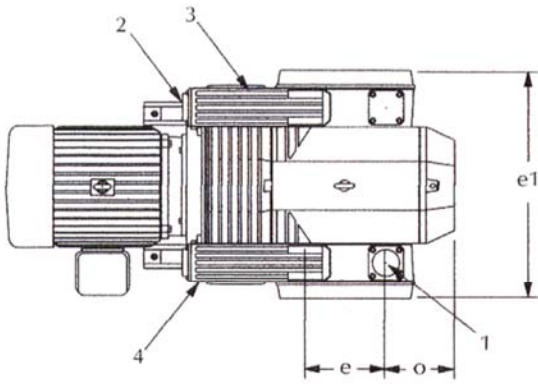
End View (Opposite Motor End)

All data based on 60 Hz operation

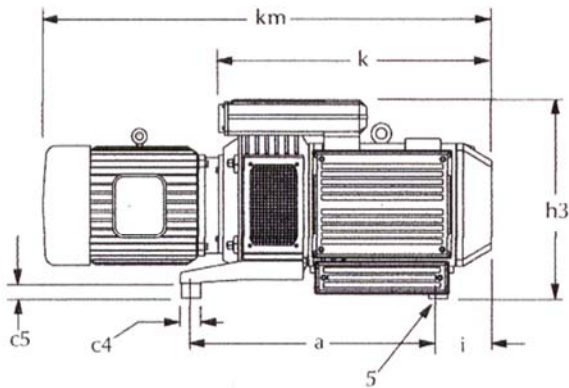
	KVT3.60	KVT3.80	KVT3.100	KVT3.140
Flow (SCFM @ 0 in. Hg)	39	48	69	95
Horsepower	3	5	5	7½
Speed (RPM)	1740	1740	1740	1740
Max. Cont. Vacuum (in. HgV)	27	27	27	22
Weight (lbs.)—w/o motor	104	108	156	172
Weight (lbs.)—w/ motor*	151	178	230	320
Noise Level (Max. dBA)	73	75	77	79
Inlet size (BSP, inches)	1	1	1½	1½
Dimensional Data	(Inches)			
a	12.83	12.83	15.67	15.67
b	7.5	7.5	9.65	9.65
b ₁	3.75	3.75	4.82	4.82
e ₁	2.56	2.56	3.75	3.75
g	13.9	13.9	18.5	18.5
g ₁	7.68	7.68	8.78	8.78
g ₂	5.55	5.55	9.06	9.06
h	6.38	6.38	6.38	6.38
h ₁	11.38	11.38	11.7	11.7
h ₃	12.28	12.28	13.0	13.0
h ₄	12.9	12.9	13.25	13.25
i	3.78	3.78	5.5	5.5
k ₂	17.64	17.64	22.17	22.17
k _L	29.4	29.4	33.5	36.8
o	1.81	1.81	2.36	2.36

* Overall specifications for single phase units may vary. Contact factory for information. Manufacturer reserves right to alter data without notice.

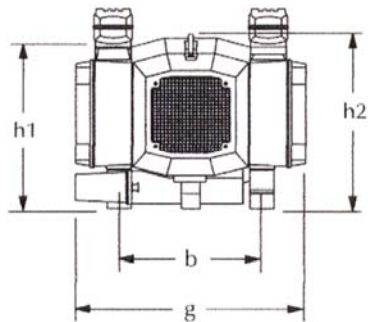
- 1 - Inlet Port
- 2 - Vibration Isolator
- 3 - Vacuum Regulating Valve
- 4 - Exhaust Air Silencer



Top View



Side View



End View (Opposite Motor End)

- 1 - Inlet Port
- 2 - Discharge Port
- 3 - Discharge Silencer
- 4 - Vacuum Relief Valve / Silencer
- 5 - Vibration Isolators

All data based on 60 Hz operation

	VTLF250SK	VTLF400	VTLF500SK	
Flow (SCFM @ 0 in. Hg)	173	280	353	
Horsepower (kW)	10(7.5)	18(13.2)	24(18)	
Speed (RPM)	1150	850	1150	
Max. Cont. Vacuum (in. Hg)	25	22.5	22.5	
Weight (lbs.)—w/ motor*	865	1090	1100	
Noise Level (Max. dBA)	81	78	83	
Inlet size (BSP, inches)	2"	4"	4"	
Dimensional Data	Inches			
	a	25.4	30.25	30.25
	b	15.0	18.9	18.9
	c4	2.0	3.0	3.0
	c5	1.6	2.0	2.0
	e	8.5	10.6	10.6
	e1	16.66	20.87	20.87
	g	24.1	30.17	30.17
	h ₁	16.87	20.86	20.86
	h ₂	18.35	22.72	22.72
	h ₃	21.0	27.96	27.96
	i	4.92	6.5	6.5
	k	28.25	33.0	33.0
km*	51.75	48.4	57.1	
o	6.75	8.12	8.12	

* Overall specifications for units may vary due to motor provider. Contact factory for information.
 Manufacturer reserves right to alter data without notice.