

ROTARY PISTON

Single Stage Vacuum Pumps

RP-35C & RP-50C



US VACUUM RP series of Rotary Piston compound vacuum pumps are heavy duty INDUSTRIAL GRADE units capable of producing an ultimate vacuum of 0.010 mmHg (abs).

These units have been EXCLUSIVELY DESIGNED for use in demanding industrial applications where high vacuum, high flow and heavy duty construction are required. The pumps come complete with motor, oil line solenoid valve, lubrication system, OSHA approved belt guard, vibration mounts and discharge oil mist filter.

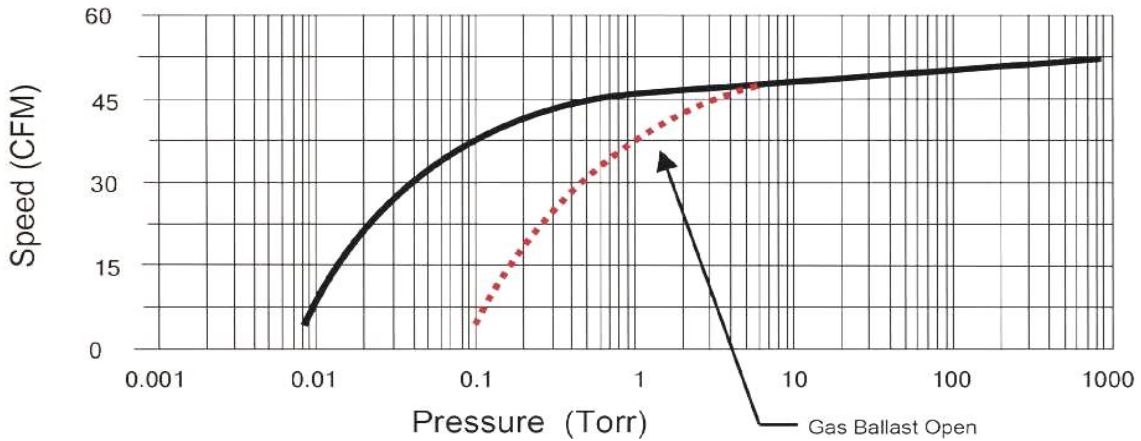
Low pump rpm (446-622 rpm) and generous oil supply insures minimal wear and long term durability. Typical applications include transformer drying & degassing, refrigeration evacuation, vacuum ovens/chambers and general industrial use.

FEATURES

- Air Cooled
- Industrial Duty
- Vacuum 0.010mm
- Low operating temperature
- Full Pumping Speed to 1 Torr
- Oversized Exhaust Filtration



Performance

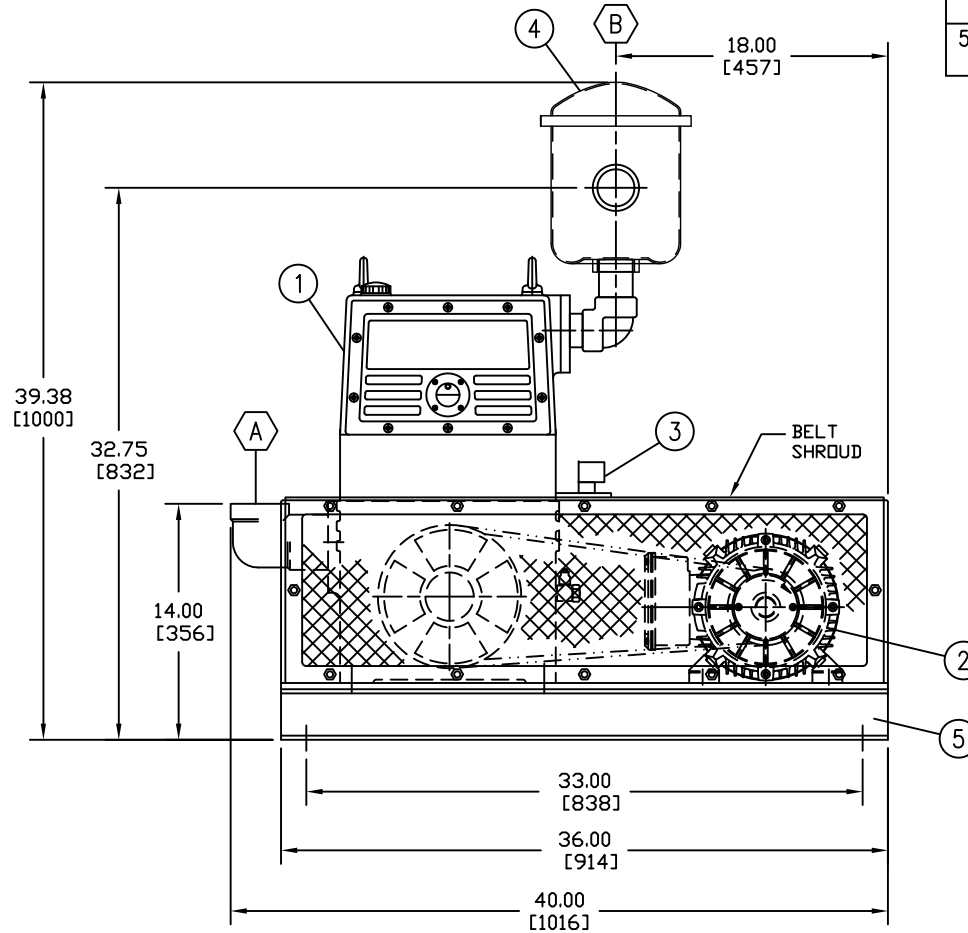
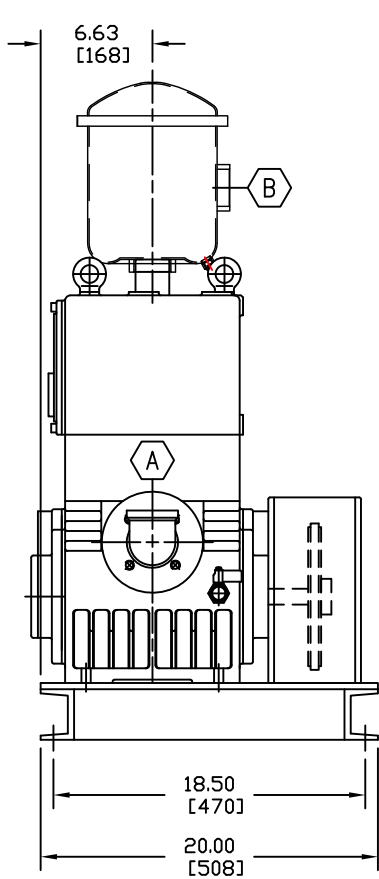


SPECIFICATIONS

Pump Model		RP-35	RP-50
Displacement	CFM	37	52
Ultimate Vacuum	Torr	0.01	0.01
Motor	Hp	2	3
Pump Speed	RPM	446	622
Oil Capacity	Gal	4	4
Inlet connection	in.	2"	2"
Exhaust connection	in.	2"	2"
Pump Weight	Lbs.	380	395

BILL OF MATERIAL

NO.	QTY	DESCRIPTION
1	1	VACUUM PUMP MODEL NO.: RP50C
2	1	MOTOR, 3 HP, 230-460V
3	1	SOLENOID VALVE, 460V
4	1	OIL MIST EXHAUST FILTER - 2"
5	1	BASE FRAME



NOTES:

1. DIMENSION TOLERANCE TO 1/2".
2. CUSTOMER IS RESPONSIBLE FOR PROPER LIFTING EQUIPMENT FOR LIFTING SKID.
3. ANCHOR BOLTS ARE NOT FURNISHED WITH SKID.
4. DEFAULT DIMENSIONS = INCHES. BRACKETED DIMENSIONS MILLIMETERS.
5. FOR INFORMATIONAL USE ONLY. DIMENSIONS SHOWN ARE CLOSE ESTIMATES AND ARE SUBJECT TO CHAGE WITHOUT NOTICE. CONTACT US VACUUM IF CERTIFIED DIMENSIONS ARE REQUIRED.
6. USER MUST READ OPERATIONS MANUAL PRIOR TO INSTALLATION & OPERATION OF MACHINE.
7. PAINT = US VACUUM GRAY.

CONNECTION SCHEDULE

MK	DESCRIPTION	SIZE/TYPE
A	SUCTION	2" NPT
B	DISCHARGE	2" NPT

0	INITIAL RELEASE			JCM	PD	PD	18-OCT-17
REV	DESCRIPTION			DWN	CK	APP	DATE
DWN	JCM	18-OCT-17	THIS DRAWING AND ALL INFORMATION SHOWN HEREON ARE THE EXCLUSIVE PROPERTY OF UNYOK VACUUM PUMPS AND ARE SUBMITTED ON A CONFIDENTIAL BASIS ONLY. THE RECIPIENT AGREES NOT TO REPRODUCE THE DISCLOSURE OF THE DRAWING OR THE INFORMATION DRAWING, TO RETURN IT UPON REQUEST AND THAT NO SHOW HEREON WILL BE MADE TO THE THIRD PARTY WITHOUT PRIOR WRITTEN CONSENT OF UNYOK.	CERTIFIED DRAWING			
CK	PD	18-OCT-17		US VACUUM PUMPS, LLC			
APP	PD	18-OCT-17		P.O. BOX 909 CANTON, TEXAS 75103 PH: 888-416-7466 / FAX: 877-416-7599			
SCALE		NTS		RP-50C w/ BASE			
DWG. NO.		RP-50C.M4C1		REV		0	

DIMENSIONS ARE IN INCHES [mm]
WEIGHT IN LBS [kg]

FIRST ANGLE
PROJECTION