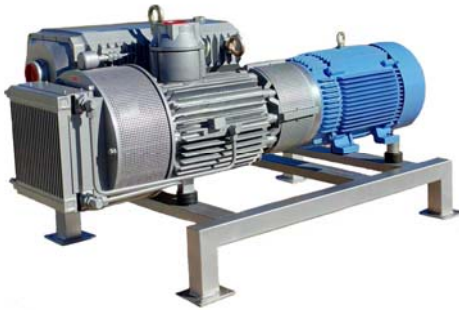




# US VACUUM PUMPS

## TV-630B Rotary Vane Vacuum Pumps

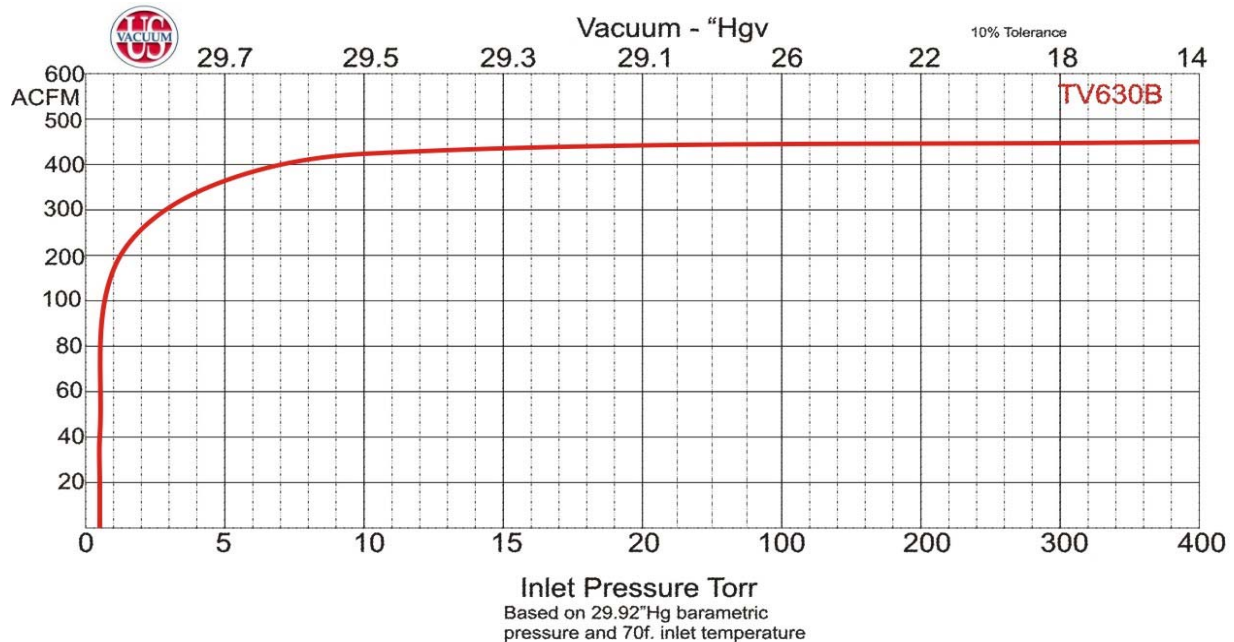


US VACUUM TorrVac vacuum pumps are Single stage Air-cooled Rotary Vane Direct drive vacuum pumps capable of producing an ultimate vacuum of 29.9" Hg (0.5 mm Hg) . The pumps are rugged and designed for continuous operation in industrial applications.

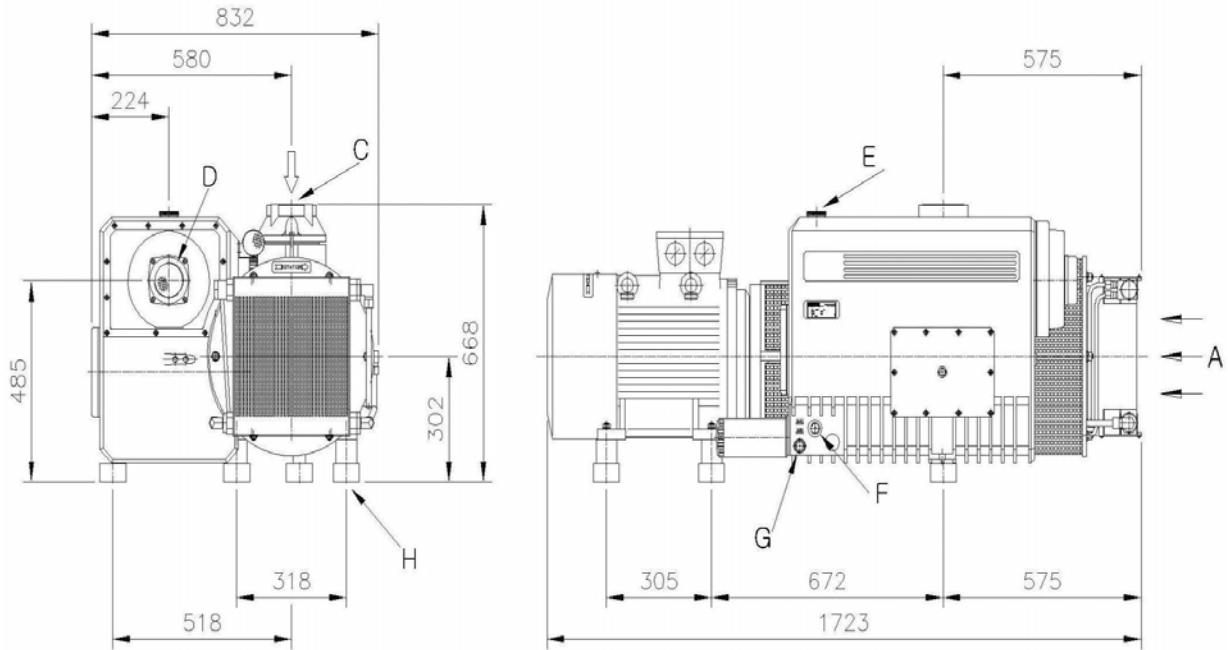
These pumps are compact, quiet and meet the needs of both the industrial and O.E.M. user. Features include integral oil mist filter providing a 99.9% oil free discharge, non-return valve to isolate the pump in the event of power failure and air cooled design for installation in any location where power is available.

### TECHNICAL DATA

PUMP TYPE		TV-630B
Pump Capacity	CFM	491
Rotational Speed	RPM	1150
Ultimate Vacuum	Torr	0.5
Motor	HP	25
Oil capacity	Qts	16
Noise level	db(A)	84
Inlet/outlet connections	inches	3"
Weight	Lbs	1530



# TV-630B



NOTE: Dimensions in mm  
(1" = 25.4 mm)