



US VACUUM PUMPS

TV-25D & TV-40D Rotary Vane Vacuum Pumps

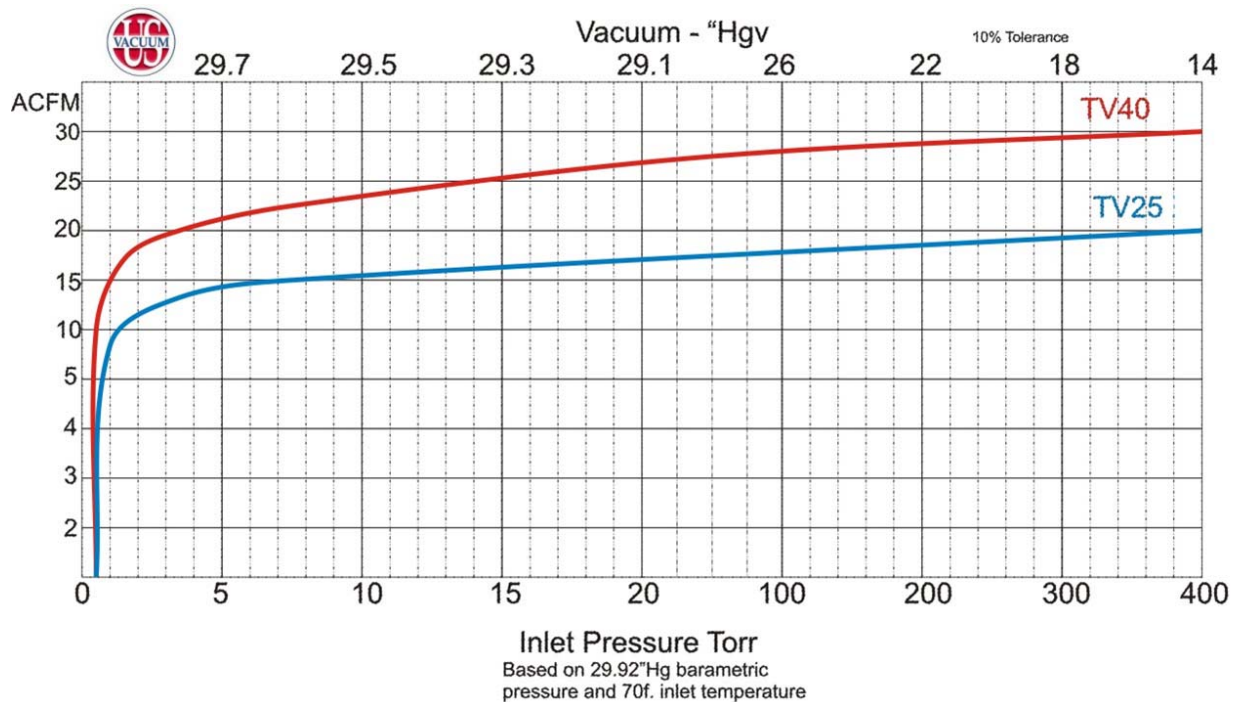


U.S. VACUUM TV vacuum pumps are Single stage Air-cooled Rotary Vane Direct drive vacuum pumps capable of producing an ultimate vacuum of 29.9" Hg (0.5 mm Hg) . The pumps are rugged and designed for continuous operation in industrial applications.

These pumps are compact, quiet and meet the needs of both the industrial and O.E.M. user. Features include integral oil mist filter providing a 99.9% oil free discharge, non-return valve to isolate the pump in the event of power failure and air cooled design for installation in any location where power is available.

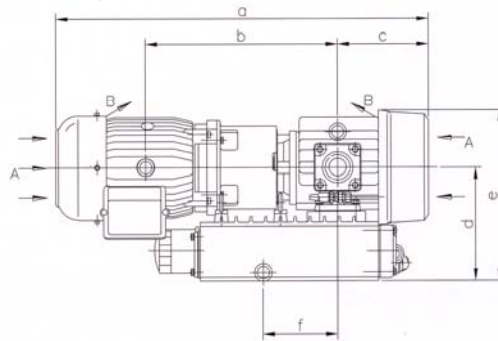
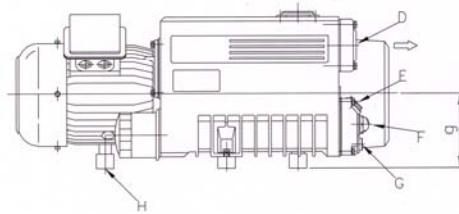
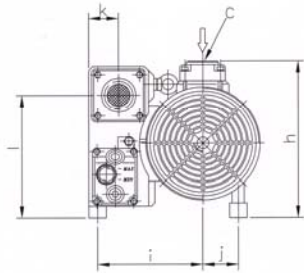
TECHNICAL DATA

PUMP TYPE		TV-25D	TV-40D
Pump Capacity (Displacement)	CFM	21	28
Rotational Speed	RPM	1725	1725
Ultimate Vacuum	Torr	0.5	0.5
Motor	Hp	1.5	2
Oil capacity	Qts	1	3
Noise level	db(A)	64	67
Inlet/outlet connections	inches	1.25	1.25
Weight	Lbs	62	100



TV-25D/40D

- A Cooling air entry
- B Cooling air exhaust
- C Inlet
- D Exhaust
- E Oil Fill
- F Oil sight glass
- G Oil drain plug



DIMENSIONS (MM)	A	B	C	D	E	F	G	H	I	J	K
TV-25D	657	361	149	244	327	114	158	273	229	63	60
TV-40D	698	381	162	244	327	114	158	273	229	63	60

All dimensions in mm
25.4 mm = 1"