

US VACUUM

Liquid Ring Vacuum Pumps



LRH “K” SERIES 75-522 cfm Vacuum: 25 Torr (29” Hg)

U.S. Vacuum LRH “K” series pumps are dual stage liquid ring vacuum pumps capable of producing a vacuum to 29” Hg . A continuous supply of service liquid, usually water, is required by the pump to carry away the heat of compression and to maintain the liquid ring as some of the service liquid is discharged with the gas through the pump discharge port.

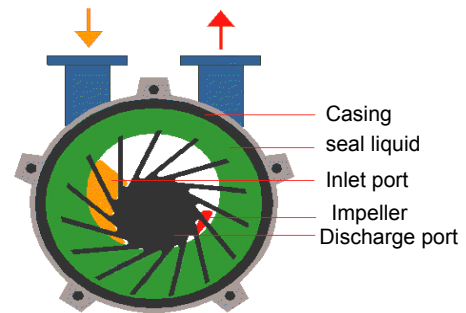
Pumps are provided with threaded connections for service liquid, pump draining and vacuum relief valve. Optional items include inlet check valve, vacuum relief valve, flow control, solenoid valve, vacuum and temperature gauges.

Various seal liquids may be used depending on the application. Call US Vacuum for assistance.

FEATURES

- High vacuum capability
- Virtually vibration free
- Efficient Dual Stage Design
- High water vapor tolerance
- Very robust against vapor/debris carryover
- Fast delivery in critical downtime situations

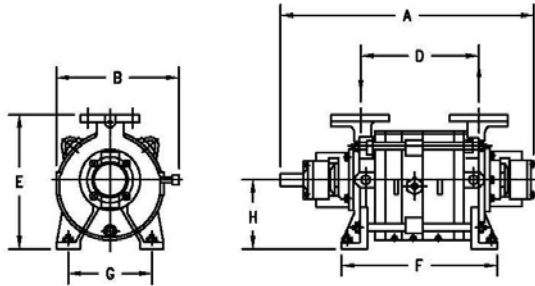
VACUUM TO 29” Hg



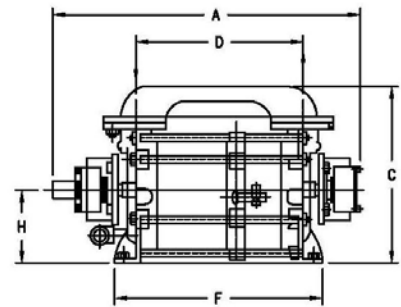
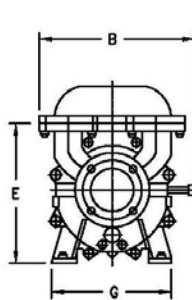
PUMP TYPE		LRH-75K	LRH-125K	LRH-200K	LRH-300K	LRH-525K	LRH-526K	
Nominal Capacity (@ 26" Hg)	CFM	75	140	186	295	522	406	
Pump Speed	RPM	1750					1450	
Motor-Installed power	HP	5	10	15	25	50	40	
Drive		DIRECT DRIVE					BELT	
Average service liquid flow	GPM	5	7	8	12	18	18	
Seal fluid connection	inches	1/2	1	1	1	1-1/4	1-1/4	
Inlet/Outlet connection	ANSI	1.5	1.5	2	2	3	3	
Maximum Vacuum	Torr	25 TORR (29" Hg)						
Weight (Pump & Motor)	Lbs	200	255	360	405	800	800	

* Standard materials of construction: Cast Iron casing, 304SST impellers, Viton mechanical seals

DIMENSIONS



LRH-75K



LRH 125K-525K

	LRH-75K		LRH-125K		LRH-200K		LRH-300K		LRH-525K	
	IN	mm	IN	mm	IN	mm	IN	mm	IN	mm
A	24.13	613	28.06	713	29.69	754	33.56	852	41.00	1041
B	11.88	302	12.75	324	16.88	429	16.88	429	18.88	479
C	-	-	16.00	406	19.13	486	19.13	486	23.50	597
D	11.19	284	13.13	333	12.38	314	16.31	414	22.00	559
E	12.63	321	13.00	330	15.25	387	15.25	387	18.56	471
F	14.69	373	17.88	454	16.94	430	20.88	530	27.38	695
G	10.00	254	10.63	270	11.75	298	11.75	298	15.75	400
H	6.50	165	6.88	175	8.25	210	8.25	210	9.81	249

US VACUUM

US Vacuum Pumps LLC
P.O. Box 909
Canton, TX 75103
Phone: (888) 416-7366
Fax: (877) 416-7599
WEB: www.usvacuumpumps.com