

UDS SERIES Dry Screw Vacuum Pumps



Variable Pitch Rotor Design



- Energy saving variable pitch Rotor design
- No cooling purge gas required
- No oil or water in contact with process gases
- Smooth condensate draining within the pump
- Quiet operation ≤ 72 dB(A)

UDS Series Rotary Vane Dry Vacuum Pumps

The UDS series of pumps are 100% Oil-less rotary screw vacuum pumps. They are designed to operate on a continuous basis at any point from atmospheric pressure to a vacuum level of 0.010mmHg (29.9"Hg +). The oil-less pumps are ideal for applications where oil or water sealed pumps are objectionable. The pump come complete with inlet check valve, gas purge connections & Kalrez mechanical seals. .

Applications include chemical and pharmaceutical processing, solvent reclamation, dehydration and crystallation.

Optional Accessories: Explosion-proof motors, Teflon coatings, seal purge systems, booster packages.



High precision variable pitch rotor set



Standard design set-up



Model UDS-75VP

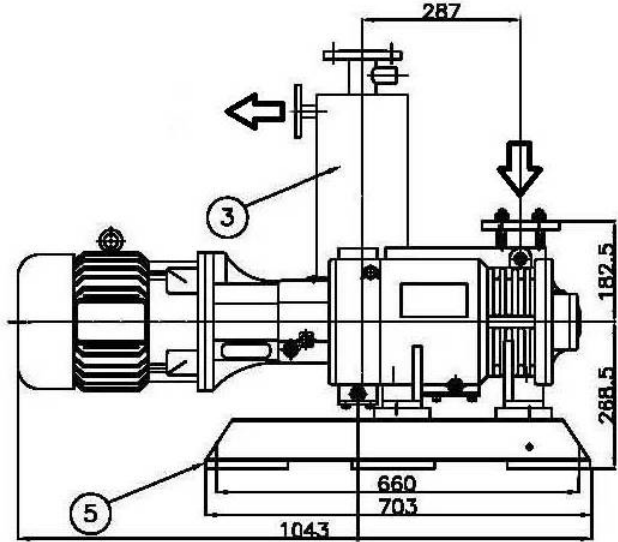
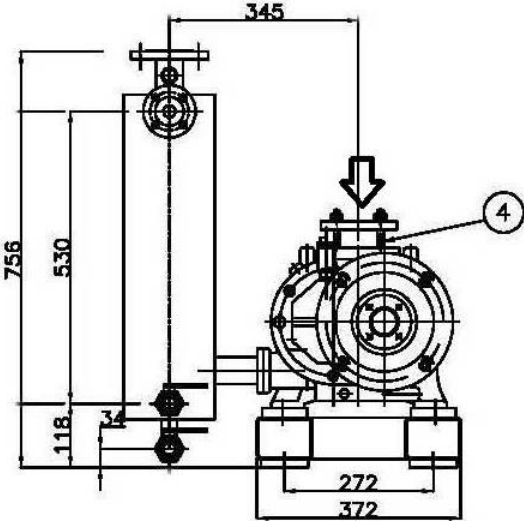
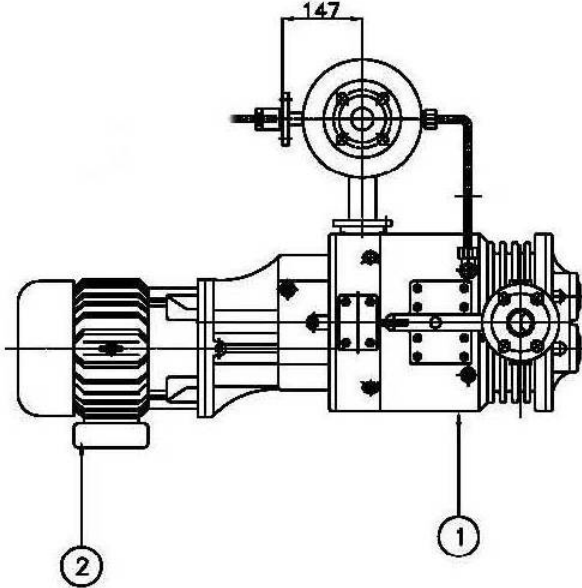
Dry Screw Vacuum Pump

SPECIFICATIONS		MODEL	UDS-75VP	UDS-180VP	UDS-250VP	UDS-500VP
Nominal Displacement (50/60 Hz)	M3/Hr		110/130	250/300	330/400	660/800
	CFM		65/76	147/176	194/235	388/470
	l/min		1833/2167	4167/5000	5500/6667	11000/13333
Ultimate Pressure	mbar		0.04	0.013	0.013	0.013
	torr		0.03	0.01	0.01	0.01
	Pa		4.0	1.33	1.33	1.33
Motor Size– Hp (kw)			5 (3.7)	10 (7.5)	15 (11)	20 (15)
Connections	Suction (ANSI)		1.5"	2"	2.5"	4"
	Discharge (ANSI)		1.5"	1.5"	2"	2.5"
Cooling water– gpm (l/m)			1.3 (5)	2.6 (10)	2.6 (10)	3.9 (15)
Oil Capacity– Qt.(liter)			1.06 (1)	1.06 (1)	1.27 (1.2)	1.12 (2)
Rotation (50/60Hz)			2900/3450			
Weight-Pump only Lb (kg)			419 (190)	640 (290)	838 (380)	1323 (600)

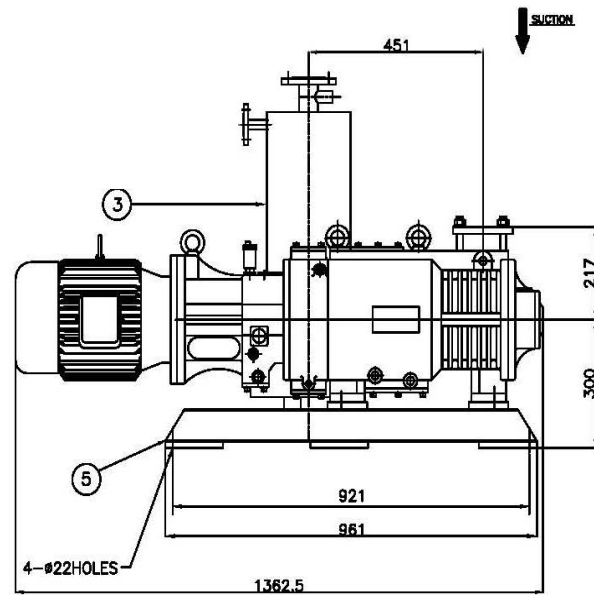
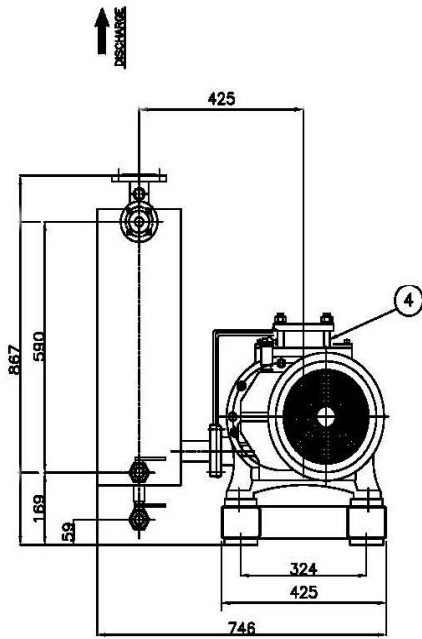
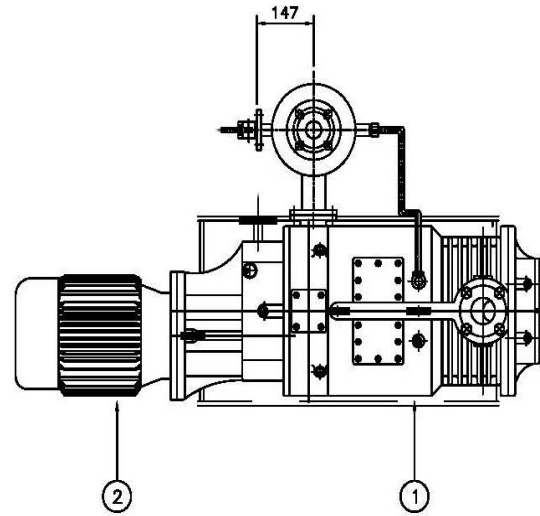
- ◆ Standard : Silencer, Coupling, Safety Cover, Base Frame, Motor, Vacuum Check Valve, Vacuum Gauge
- ◆ Option : Cooler, Separator, Temperature Switch, N₂ Purging Line, Control Panel



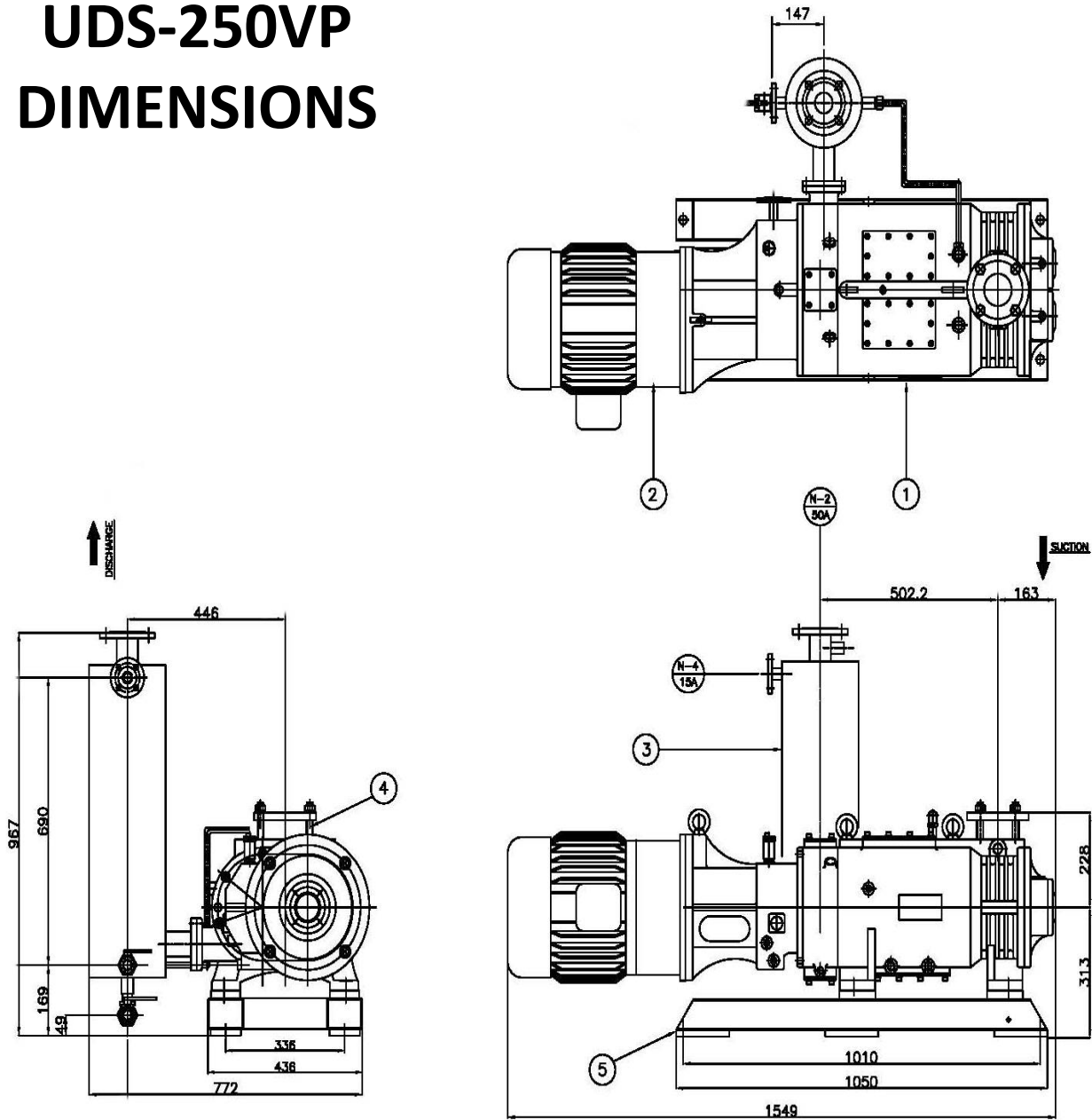
UDS-75VP DIMENSIONS



UDS-180VP DIMENSIONS



UDS-250VP DIMENSIONS



UDS-500VP

