

# US VACUUM

## Dry Claw Vacuum Pump

**CVP-42/100** 42/105 cfm



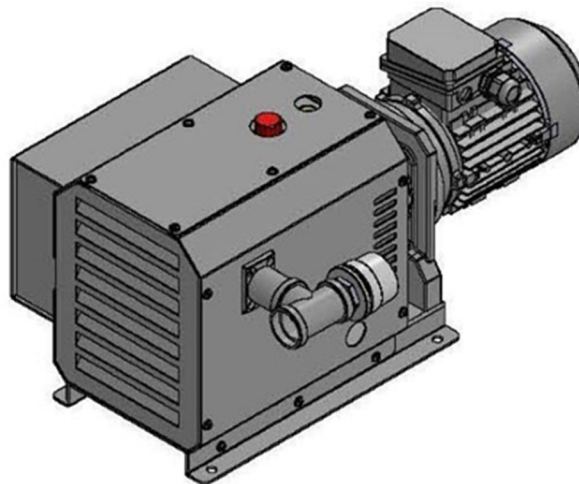
The CVP series is a positive displacement, air-cooled, claw type, dry running/non-contacting vacuum pump. The non-contact design eliminates internal wear and maintenance resulting in a highly reliable and durable pump. No cooling water or sealing oil is required in the pumping chamber resulting in a clean and oil-free exhaust environment.

The pump incorporates two claw shaped rotors that rotate in opposite directions to compress and move the process air through the pump and to the exhaust muffler/silencer. The rotors are synchronized by precision timing gears that are splash lubricated for a long and trouble-free life.

The pump is available with single-phase or three phase motor. Standard accessories include vacuum gauge, regulator, particulate filter, exhaust silencer and support base.

### FEATURES

- Max Vac to 28.34" Hg
- Air-Cooled operation
- Oil-Free (Dry) pumping chamber
- Very low maintenance required
- Simple single-stage design
- Suitable for variable speed drives



PUMP TYPE		CVP-42	CVP-100
Nominal Capacity	CFM	42	104
Speed	RPM	3450	3450
Motor-Hp	HP	2	6
Noise level at 60 Torr	db(A)	78	80
Inlet Connection	Inch	1"	1.25"
Ultimate Vacuum Max.	Torr	40 (28.34"Hg)	40 (28.34"Hg)
Ultimate Vacuum Continuous	Torr	75 TORR (27"Hg)	75 TORR (27"Hg)
Weight	Lbs	112	355

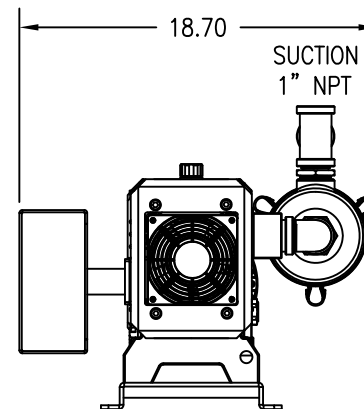
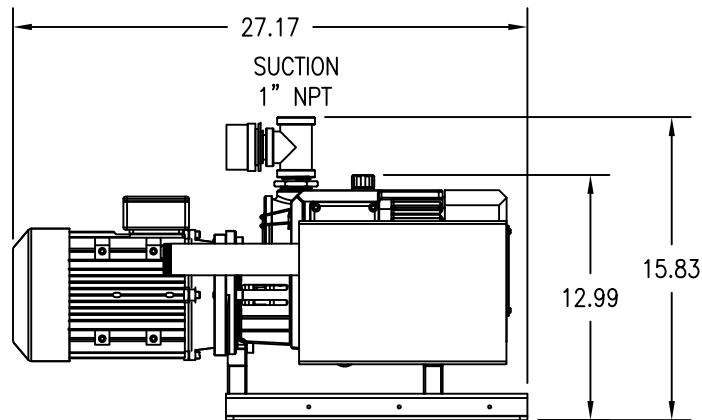
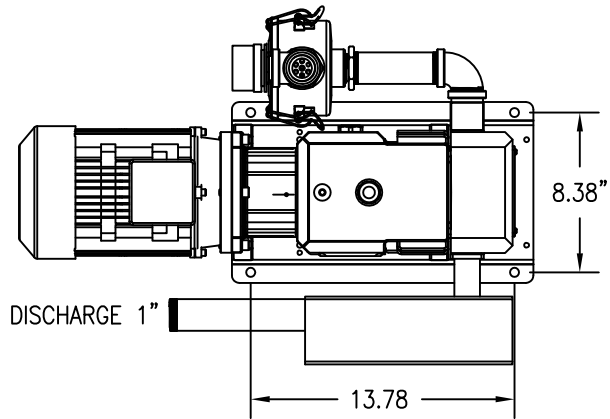
# CVP Performance Data

## Typical Pumping Capacity in ACFM of Air

				CVP-42	CVP-100
Pressure	760	Vacuum	0	44	97
mm Hg abs	633	inches Hg	5	42	96
	506		10	38	96
	380		15	36	94
	252		20	35	90
	100		26	32	74
	74		27	22	66
	49		28	8	12

## US VACUUM

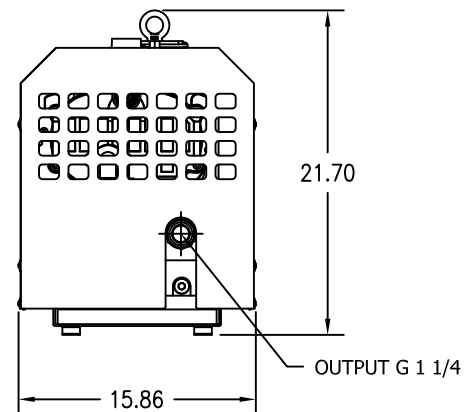
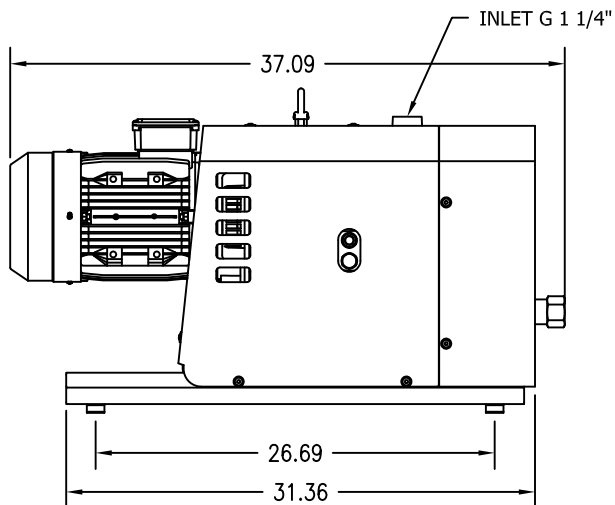
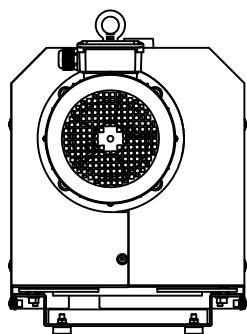
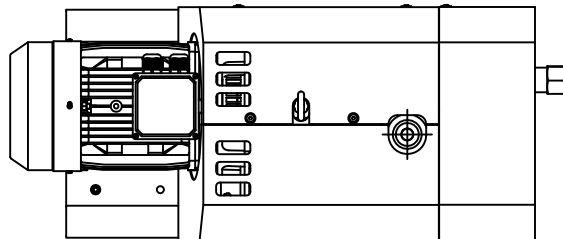
US Vacuum Pumps LLC  
 P.O. Box 909  
 Canton, TX 75103  
 Phone: (888) 416-7366  
 Fax: (877) 416-7599  
 WEB: [www.usvacuumpumps.com](http://www.usvacuumpumps.com)



DIMENSIONS ARE IN INCHES [mm]  
 WEIGHT IN LBS [kg]

THIRD ANGLE  
 PROJECTION

0	INITIAL RELEASE			JCM	PD	PD	16-APR-20
REV	DESCRIPTION			DWN	CK	APP	DATE
DWN	JCM	16-APR-20	<small>THIS DRAWING AND ALL INFORMATION SHOWN HEREON ARE THE EXCLUSIVE PROPERTY OF US VACUUM PUMPS, LLC. AND ARE SUBMITTED ON A CONFIDENTIAL BASIS ONLY. THE RECIPIENT AGREES NOT TO REPRODUCE THE DISCLOSURE OF THE DRAWING OR THE INFORMATION DRAWING, TO RETURN IT UPON REQUEST, AND THAT NO OTHER INFORMATION WILL BE MADE TO THE THIRD PARTY WITHOUT PRIOR WRITTEN CONSENT OF US VACUUM PUMPS, LLC.</small>	CERTIFIED DRAWING			
CK	PD	16-APR-20		<b>US VACUUM PUMPS, LLC</b> P.O. BOX 909 CANTON, TEXAS 75103 PH: 888-416-7466 / FAX: 877-416-7599			
APP	PD	16-APR-20					
SCALE NTS			CVP-42 DRY VACUUM PUMP			DWG. NO. CVP-42.M4A1	REV 0



DIMENSIONS ARE IN INCHES [mm]  
 WEIGHT IN LBS [kg]

THIRD ANGLE  
 PROJECTION

0	INITIAL RELEASE				JCM	PD	PD	16-APR-20
REV	DESCRIPTION				DWN	CK	APP	DATE
DWN	JCM	16-APR-20	<small>THIS DRAWING AND ALL INFORMATION SHOWN HEREON ARE THE EXCLUSIVE PROPERTY OF US VACUUM PUMPS, LLC. AND ARE SUBMITTED ON A CONFIDENTIAL BASIS ONLY. THE RECIPIENT AGREES NOT TO REPRODUCE THE DISCLOSURE OF THE DRAWING OR THE INFORMATION DRAWING, TO RETURN IT UPON REQUEST, AND THAT NO SHOWING HEREON WILL BE MADE TO THE THIRD PARTY WITHOUT PRIOR WRITTEN CONSENT OF US VACUUM PUMPS, LLC.</small>		<b>CERTIFIED DRAWING</b> <b>US VACUUM PUMPS, LLC</b> P.O. BOX 909 CANTON, TEXAS 75103 PH: 888-416-7466 / FAX: 877-416-7599			
CK	PD	16-APR-20						
APP	PD	16-APR-20						
SCALE NTS		CVP 100 DRY VACUUM PUMP		DWG. NO.		REV		
				CVP100.M4A1		0		