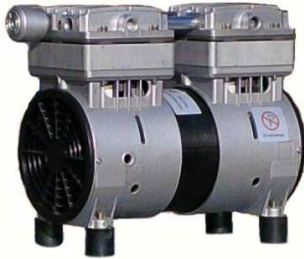




US VACUUM PUMPS LLC

DRPS-7 DRY PISTON TANK SYSTEM



US VACUUM pump Model DRPS-7 is a single stage, air-cooled, piston type vacuum pump capable of producing an ultimate vacuum to 27.5" Hg.

The pump is small and compact yet produces a very generous 7 cfm of inlet pumping capacity coupled with high vacuum capability. Typical applications include Laboratory use, sampling, filtering, fixture holding and degassing.

Available standard with 115v power cord w/ on-off switch.

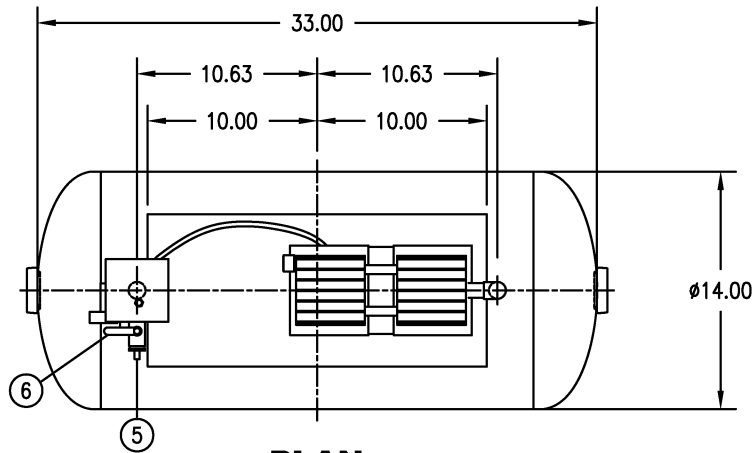
TECHNICAL DATA

PUMP TYPE		DRPS-7
Pump Displacement	CFM	7
Ultimate Vacuum	Torr	27.5"Hg
Pump Speed	RPM	1750
Vacuum switch	Rangel	0-27"Hg
Inlet connection	Inch	3/8"
Motor-Installed power	HP	0.67 (500W)
Weight	LBS	20
Noise level	db(A)	58

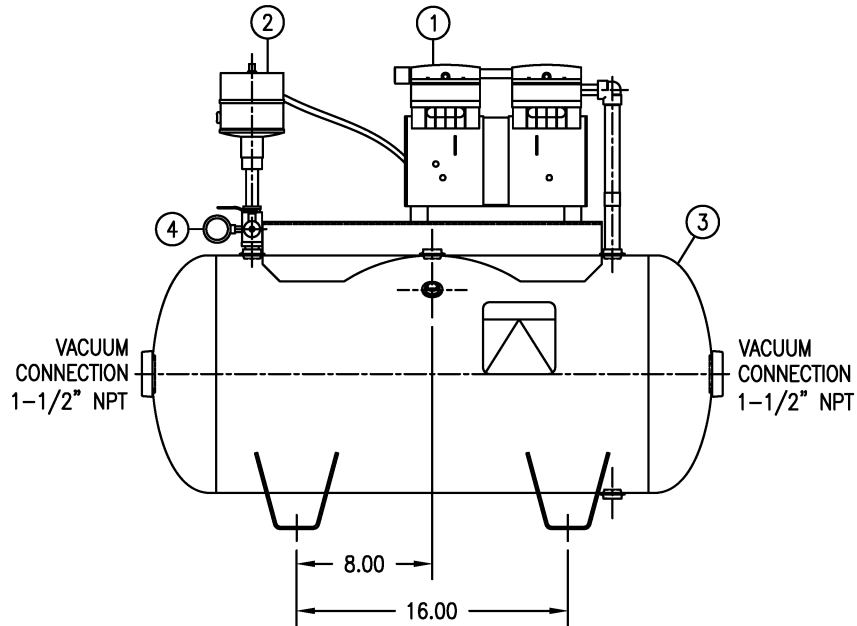
Vacuum Tank system

- 7 cfm Vacuum pump
- 20 gallon tank
- 500W Motor
- Vacuum switch, 0-27"Hg
- Vacuum gauge
- Hose connection
- 120V (1-PH)

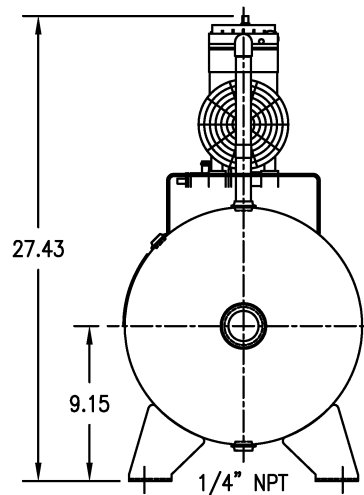




PLAN



END VIEW



ELEVATION

BILL OF MATERIAL		
NO.	QTY	DESCRIPTION
1	1	VACUUM PUMP, DRPS-7, 115V 60HZ
2	1	VACUUM SWITCH, 0-30"HG
3	1	VACUUM TANK, HORIZONTAL, 20GAL
4	1	VACUUM GAUGE, 0-30"HG
5	1	HOSE CONNECTION, BARBED
6	1	BALL VALVE, THREADED

20 gallon tank

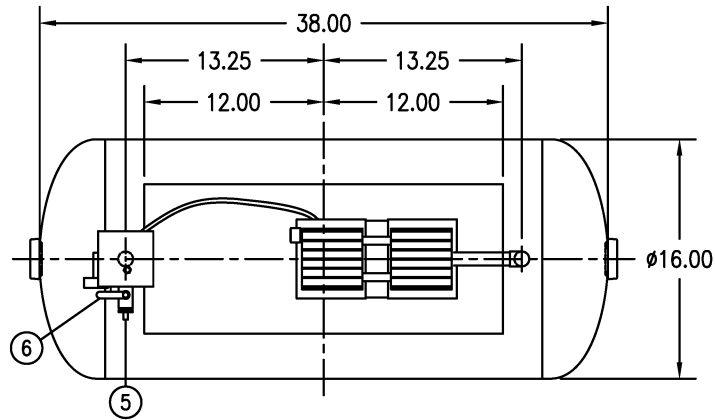
NOTES:

1. ALL STANDARD UNIT PIPING SHALL BE SCH/40 ASTM A-53 TYPE F C/W 150# ASTM A-197 MALLEABLE IRON THREADED FITTINGS.
2. DIMENSION TOLERANCE TO 1/4".
3. CUSTOMER IS RESPONSIBLE FOR PROPER LIFTING EQUIPMENT FOR LIFTING SKID.
4. ANCHOR BOLTS ARE NOT FURNISHED WITH UNIT.

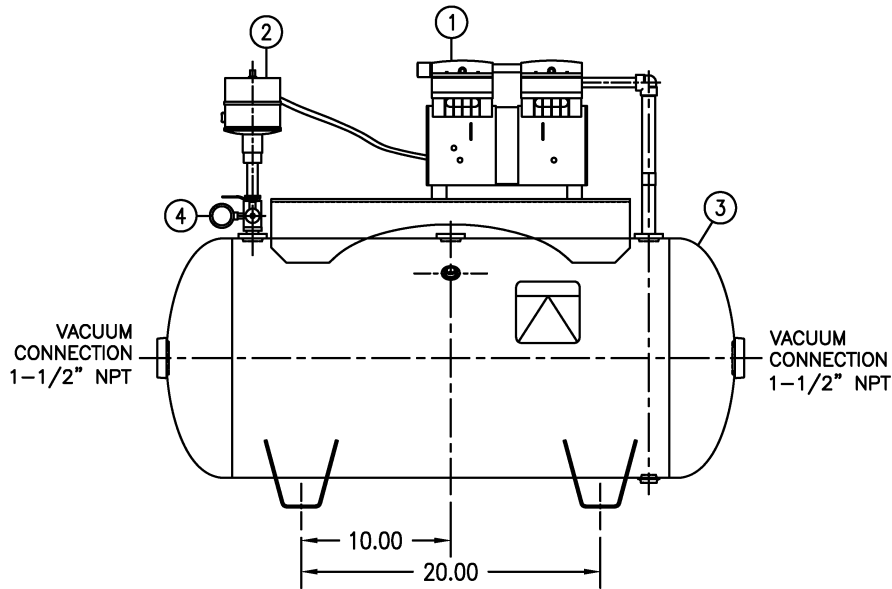
0	INITIAL RELEASE			JCM	PD	PD	06-APR-20
REV	DESCRIPTION			DWN	CK	APP	DATE
DWN	JCM	06-APR-20	<small>THIS DRAWING AND ALL INFORMATION HEREON ARE THE EXCLUSIVE PROPERTY OF US VACUUM PUMPS, LLC. AND ARE SUBMITTED ON A CONFIDENTIAL BASIS ONLY. THE RECIPIENT AGREES NOT TO REPRODUCE THE RECIPIENT'S INFORMATION OR TO RETURN IT UPON REQUEST, AND THAT NO INFORMATION WILL BE MADE TO THE THIRD PARTY WITHOUT PRIOR WRITTEN CONSENT OF US VACUUM PUMPS, LLC.</small>	CERTIFIED DRAWING			
CK	PD	06-APR-20		US VACUUM PUMPS, LLC			
APP	PD	06-APR-20		P.O. BOX 909 CANTON, TEXAS 75103 PH: 888-416-7466 / FAX: 877-416-7599			
SCALE 3/4"=1'-0"			DRPS-7 VACUUM PUMP SYSTEM w/ HORIZONTAL RECEIVER			DWG. NO. DRPS7.115.20	
DIMENSIONS ARE IN INCHES [mm] WEIGHT IN LBS [kg]			THIRD ANGLE PROJECTION			REV 0	

DIMENSIONS ARE IN INCHES [mm]
 WEIGHT IN LBS [kg]

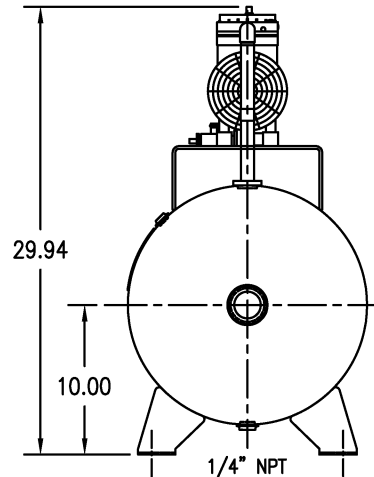




PLAN



END VIEW



ELEVATION

BILL OF MATERIAL		
NO.	QTY	DESCRIPTION
1	1	VACUUM PUMP, DRPS-7, 115V 60HZ
2	1	VACUUM SWITCH, 0-30"HG
3	1	VACUUM TANK, HORIZONTAL, 30GAL
4	1	VACUUM GAUGE, 0-30"HG
5	1	HOSE CONNECTION, BARBED
6	1	BALL VALVE, THREADED

30 gallon tank

NOTES:

1. ALL STANDARD UNIT PIPING SHALL BE SCH/40 ASTM A-53 TYPE F C/W 150# ASTM A-197 MALLEABLE IRON THREADED FITTINGS.
2. DIMENSION TOLERANCE TO 1/4".
3. CUSTOMER IS RESPONSIBLE FOR PROPER LIFTING EQUIPMENT FOR LIFTING SKID.
4. ANCHOR BOLTS ARE NOT FURNISHED WITH UNIT.

0	INITIAL RELEASE			JCM	PD	PD	10-APR-20
REV	DESCRIPTION			DWN	CK	APP	DATE
DWN	JCM	10-APR-20	<small>THIS DRAWING AND ALL INFORMATION HEREON ARE THE EXCLUSIVE PROPERTY OF US VACUUM PUMPS, LLC. AND ARE SUBMITTED ON A CONFIDENTIAL BASIS ONLY. THE RECIPIENT AGREES NOT TO REPRODUCE THE DISCLOSURE OF THE DRAWING OR THE INFORMATION HEREON TO RETURN IT UPON REQUEST, AND THAT NO OTHER PARTY WILL BE MADE TO THE THIRD PARTY WITHOUT PRIOR WRITTEN CONSENT OF US VACUUM PUMPS, LLC.</small>	CERTIFIED DRAWING			
CK	PD	10-APR-20		US VACUUM PUMPS, LLC			
APP	PD	10-APR-20		P.O. BOX 909 CANTON, TEXAS 75103 PH: 888-416-7466 / FAX: 877-416-7599			
SCALE NTS			DRPS-7 VACUUM PUMP SYSTEM w/ HORIZONTAL RECEIVER			DWG. NO. DRPS7.115.30	
DIMENSIONS ARE IN INCHES [mm] WEIGHT IN LBS [kg]			THIRD ANGLE PROJECTION			REV 0	

DIMENSIONS ARE IN INCHES [mm]
WEIGHT IN LBS [kg]

