

US VACUUM

Liquid Ring Vacuum Pumps



LRV/NC SERIES 18-342 cfm Vacuum: 28.3" Hg

U.S. VACUUM LRV/NC pumps are single stage close-coupled liquid ring vacuum pumps capable of producing a vacuum to 29" Hg . The pumps are available in various materials of construction (FS = Iron/Stainless steel, SS = All stainless steel).

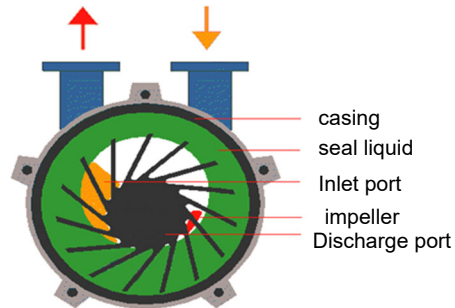
Pumps are provided with threaded connections for service liquid, pump draining and vacuum relief valve. Optional items include inlet check valve, vacuum relief valve, flow control, solenoid valve, vacuum and temperature gauges.

Pumps can also come as completely packaged units using water or water as a seal fluid.

FEATURES

- Oil free discharge
- Only one moving part
- Very low maintenance
- Capable of handling wet gases

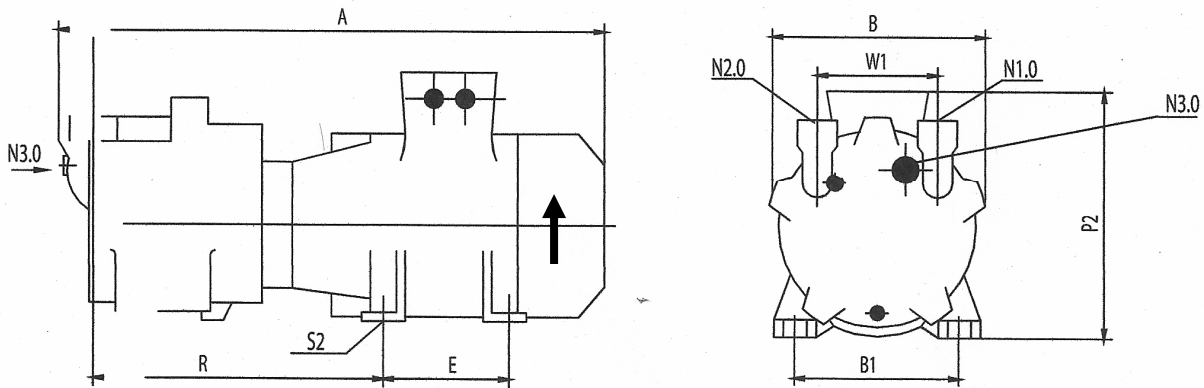
CLOSE COUPLED



PUMP TYPE		LRV20NC	LRV 35NC	LRV 55NC	LRV 100NC	LRV 150NC	LRV 200NC	LRV 350NC
Nominal Capacity	CFM	18	34	56	113	157	192	342
Speed	RPM	3500	3500	3500	1750	1750	1750	1150
Motor-Installed power	HP	2.2	3.6	5.4	8.4	11.5	16.6	28
Noise level at 60 Torr	db(A)	69	69	75	74	74	77	78
Average service liquid flow	GPM	1.5	1.5	1.5	4	4	5	11
Inlet/Outlet connection	Inches	1"	1"	1.5"	2" Flg	2" Flg	2.5" Flg	3" Flg
Maximum Vacuum	Torr	41 TORR (28.3" Hg)						
Weight	Lbs	75	79	150	231	269	342	721

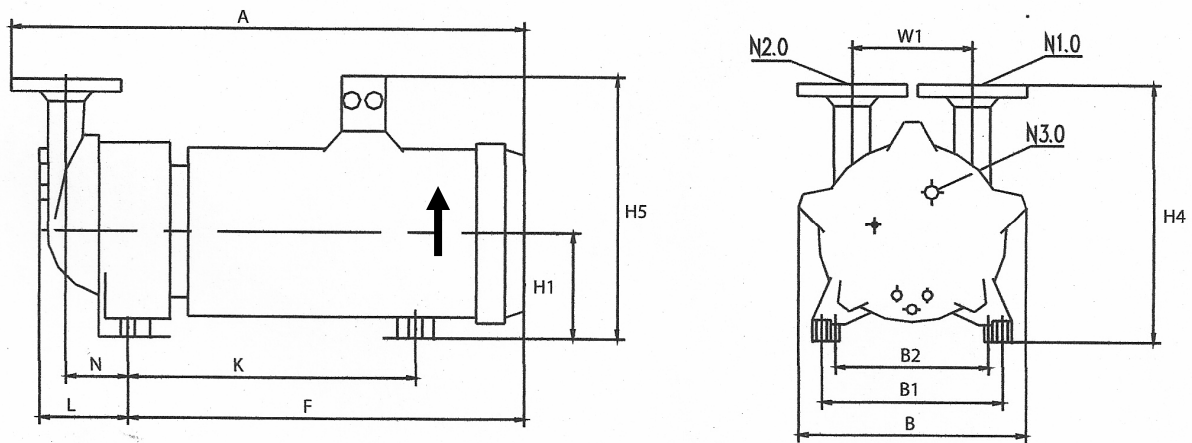
888-416-7366

DIMENSIONS



MODEL	HP	CFM	A	B	B1	E	P2	R	S2	W1	N1.0/2.0	N3.0
LRV20NC	2	18	17.91	7.32	5.51	3.94	9.84	8.54	0.394	4.33	1" NPT	1/4"
LRV35NC	3	34	19.72	7.32	5.51	4.92	9.84	9.29	0.394	4.33	1" NPT	1/4"
LRV55NC	5	56	22.44	8.78	7.48	5.51	11.81	9.29	0.472	4.33	1.5" NPT	1/4"

N1.0 = Suction Port N2.0 = Discharge Port N3.0 = Water supply port



MODEL	HP	CFM	A	B	B1	B2	K	N	W1	H4	L	F	N1/2	N3
LRV100NC	7.5	113	25.45	12.8	10.43	8.5	12.48	3.62	7.09	14.61	5.12	18.27	2" Flg	3/4"
LRV150NC	10	157	29.92	12.8	10.43	8.5	16.54	3.62	7.09	14.61	5.12	22.52	2" Flg	3/4"
LRV200NC	15	192	32.36	13.66	12	8.5	18.11	3.82	7.87	16.14	5.59	25.2	2.5" Flg	3/4"
LRV350NC	25	342	41.1	18.86	14.57	10.98	22.44	5.43	9.84	20.51	7.91	31.81	3" Flg	3/4"

N1.0 = Suction Port N2.0 = Discharge Port N3.0 = Water supply port

US VACUUM

US Vacuum Pumps LLC
P.O. Box 909
Canton, TX 75103
Phone: (888) 416-7366
Fax: (877) 416-7599